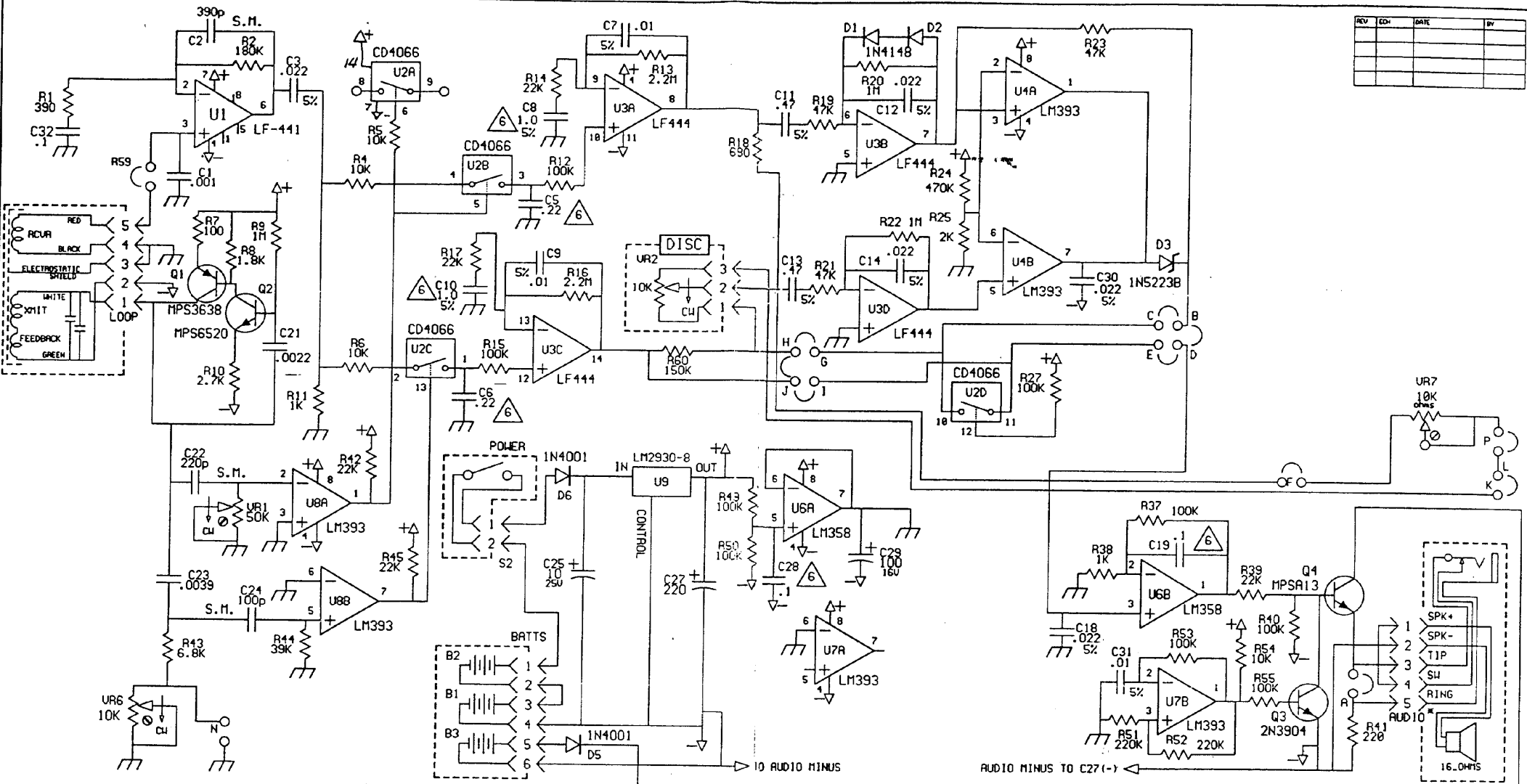


REV	ED	DATE	BY



- NOTES: UNLESS OTHERWISE SPECIFIED
1. RESISTOR VALUES ARE IN OHMS.
 2. RESISTORS ARE 1/4 WATT, ± 5%.
 3. CAPACITOR VALUES ARE IN MICROFARADS.
 4. CAPACITORS > 1.0 MFD = ALUMINUM ELECTROLYTICS; +80%, -20%.
 5. CAPACITORS < 1.0 MFD = POLYESTER FILM; ± 10%.
 6. STACKED POLYESTER (PARASONIC "U" SERIES).
 7. PARTS INSIDE DASHED LINES ARE NOT LOCATED ON MAIN PCB.
 8. PCB 505-0170 (104G 20-0325).

LAST USED	NOT USED
B3	C20
C33	D5
D6	Q4
Q4	R57
R57	S3
S3	U5
U5	U6

JUMPER MATRIX

FROM	A	D	R36	G	I	K	R28	R32	R33	C4	B	D	J	R59
PRODUCT	TO	TIP	B	F	H	J	L	R31	P	R35	N	C	E	H
CLASSIC I	NO	YES	YES	NO	NO	YES	NO	YES	NO	NO	NO	NO	YES	YES

TOLERANCES UNLESS NOTED
 DECIMAL
 .100 ± .005"
 .10X ± .010"
 ANGLE ±1/2°
 DO NOT SCALE DRAWING

(C) White's Electronics Inc. '90
 SWEET HOME, OREGON U.S.A.

This print is the property of, and embodies proprietary design of White's Electronics, Inc.; no part of this design may be used in any way without the written consent of White's Electronics, Inc., Sweet Home, OR 97260.

SCALE	FULL	DRAWN BY	SGE/JWP	DATE	9-7-90	DESIGNED BY	SE 12-2-91	APPROVED BY	<i>JW Bantz</i>
TITLE	Classic I Schematic				PART NUMBER	801-1176		REV.	SHEET 1/1
DRAWING NUMBER	15-0372								